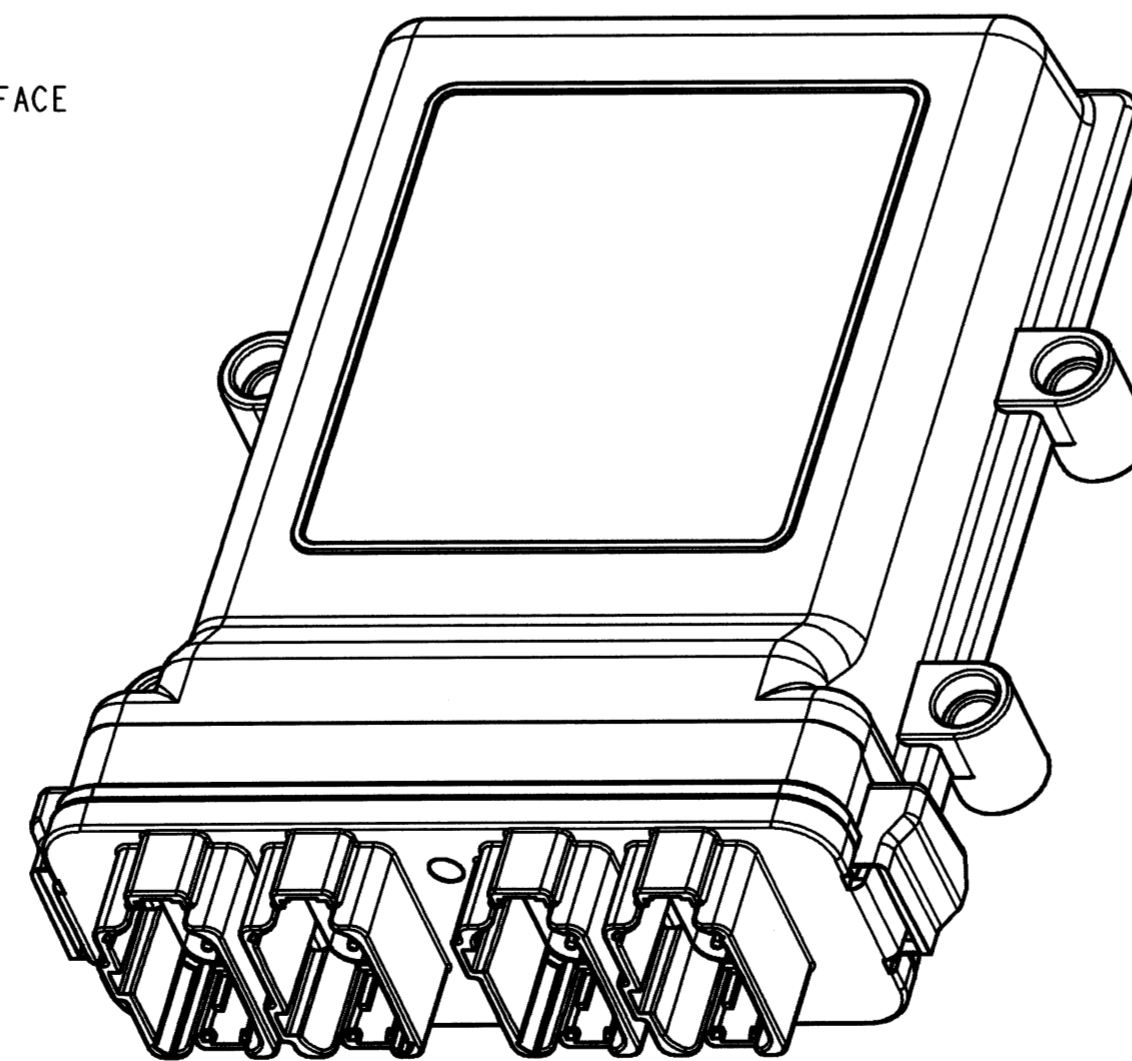
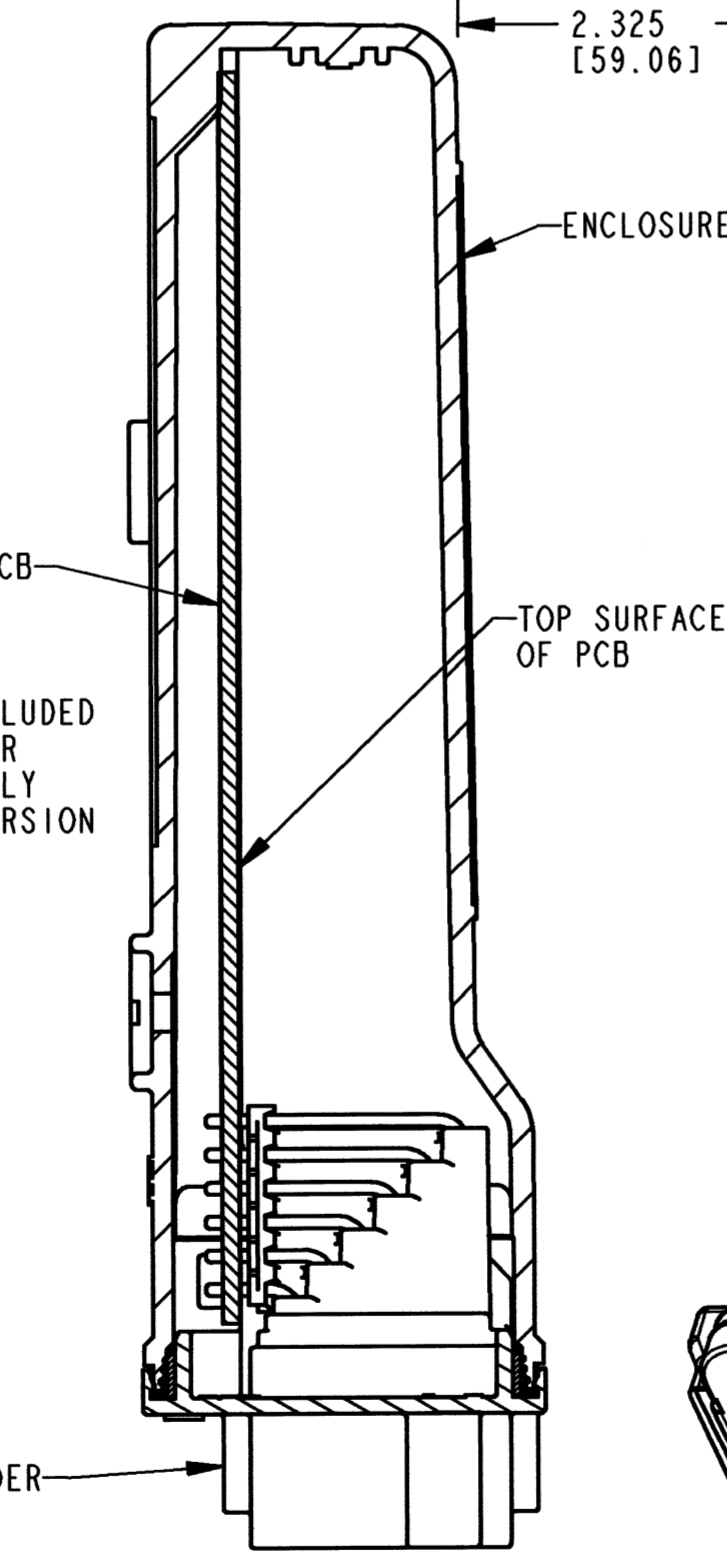
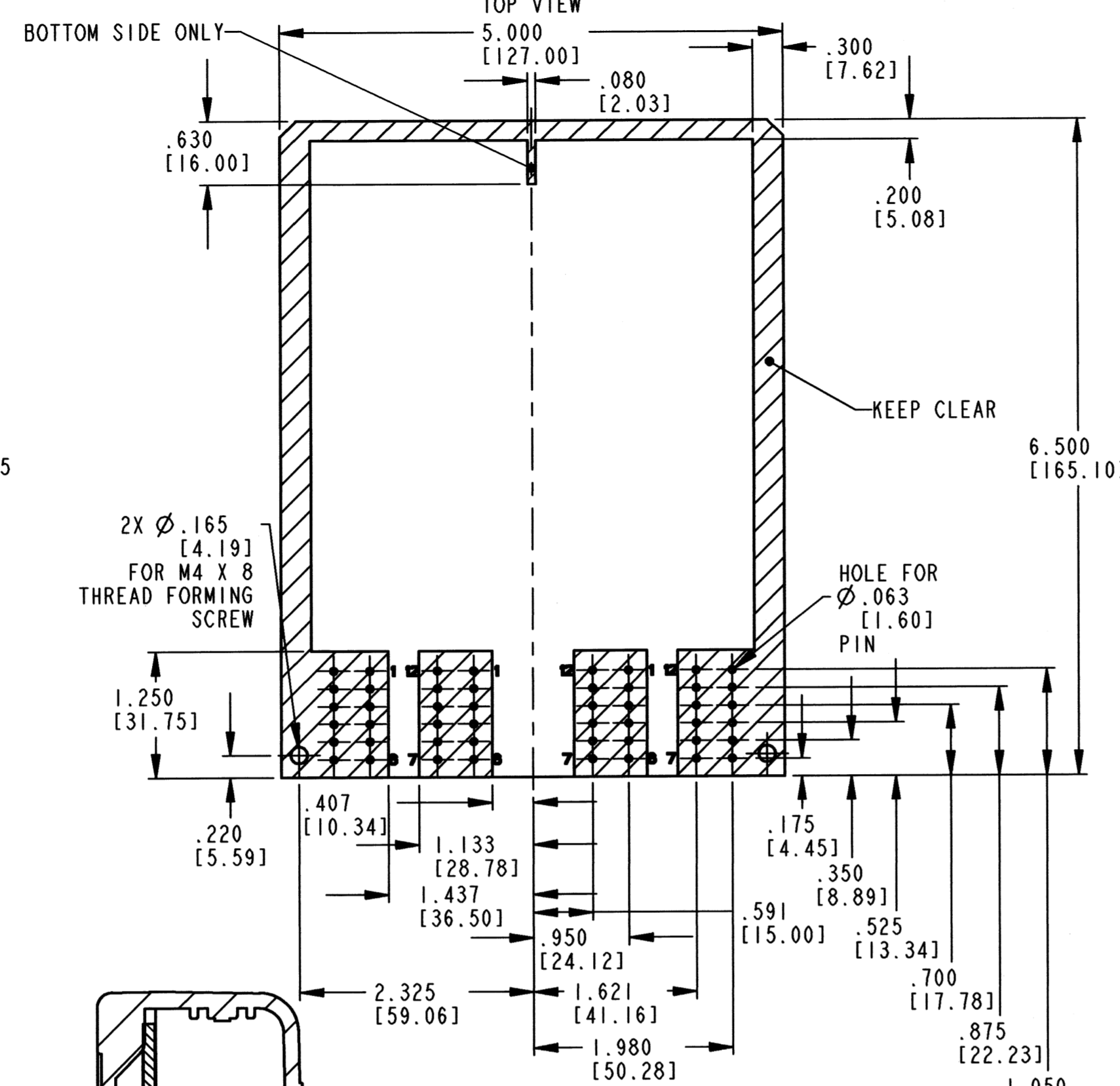
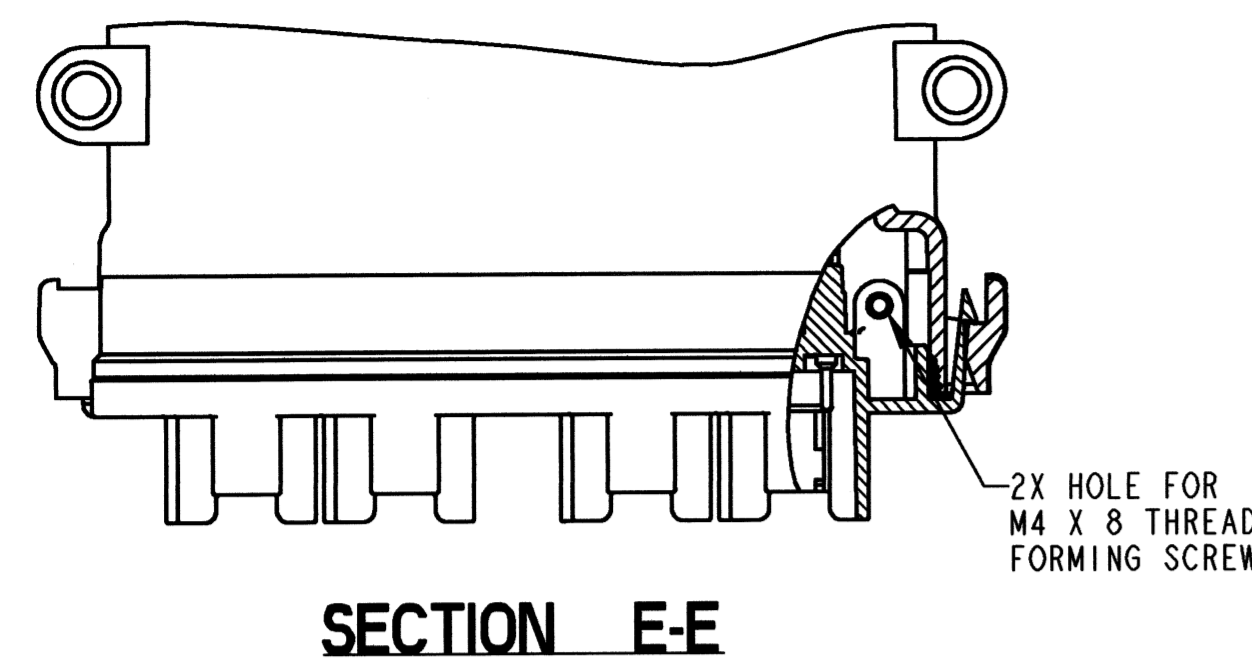


**CIRCUIT BOARD HOLE LOCATIONS
AND KEEP CLEAR AREAS FOR**

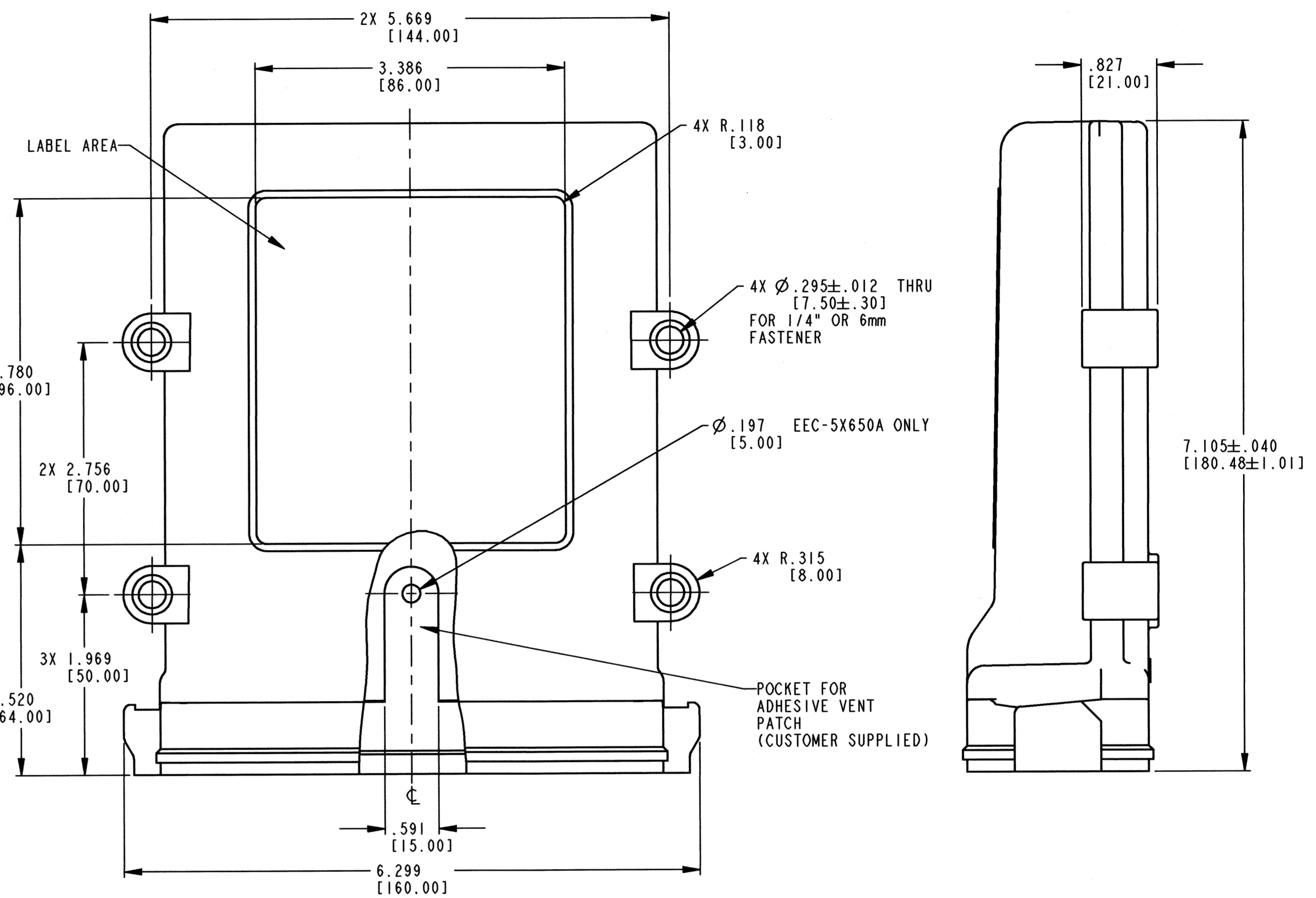
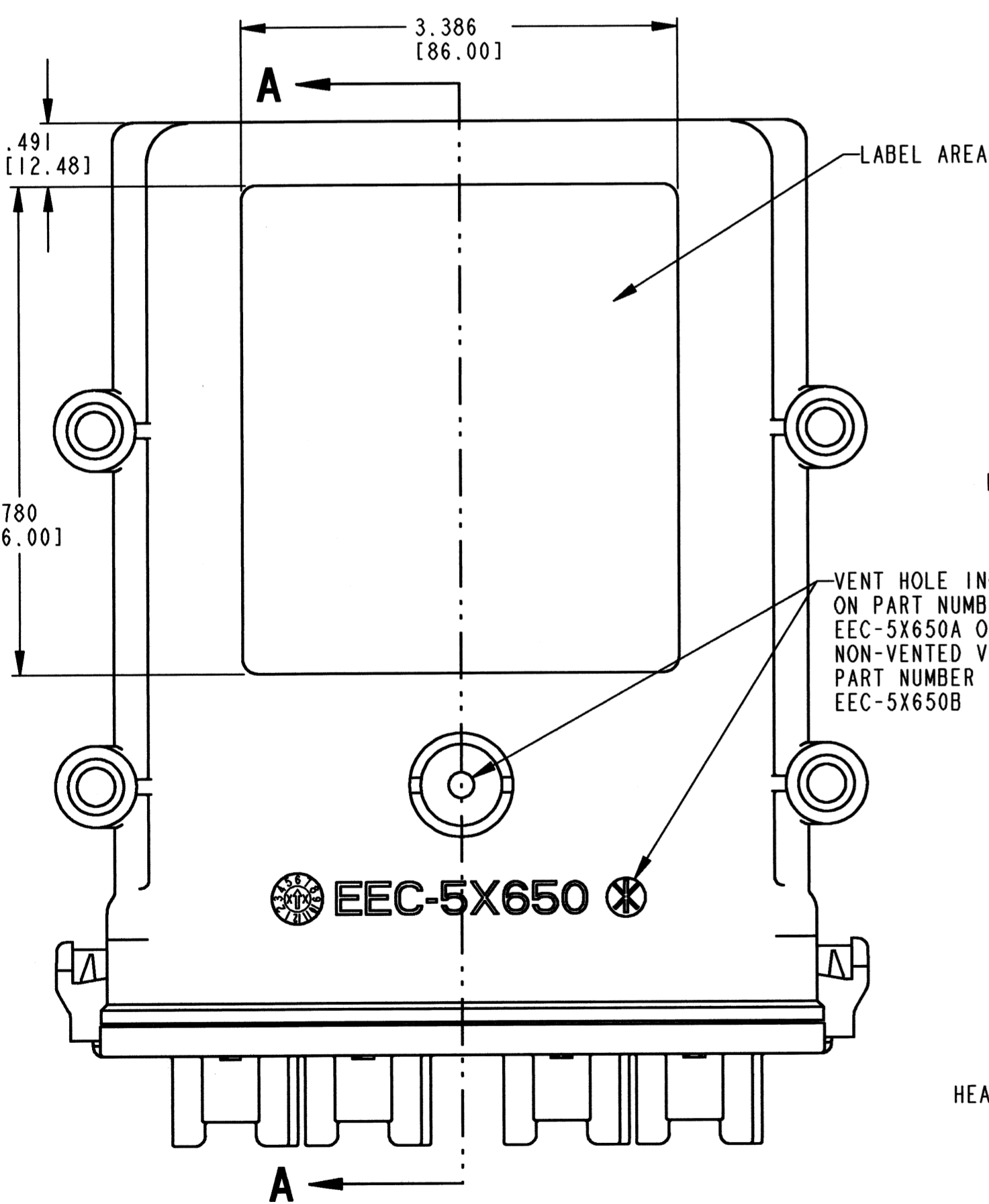
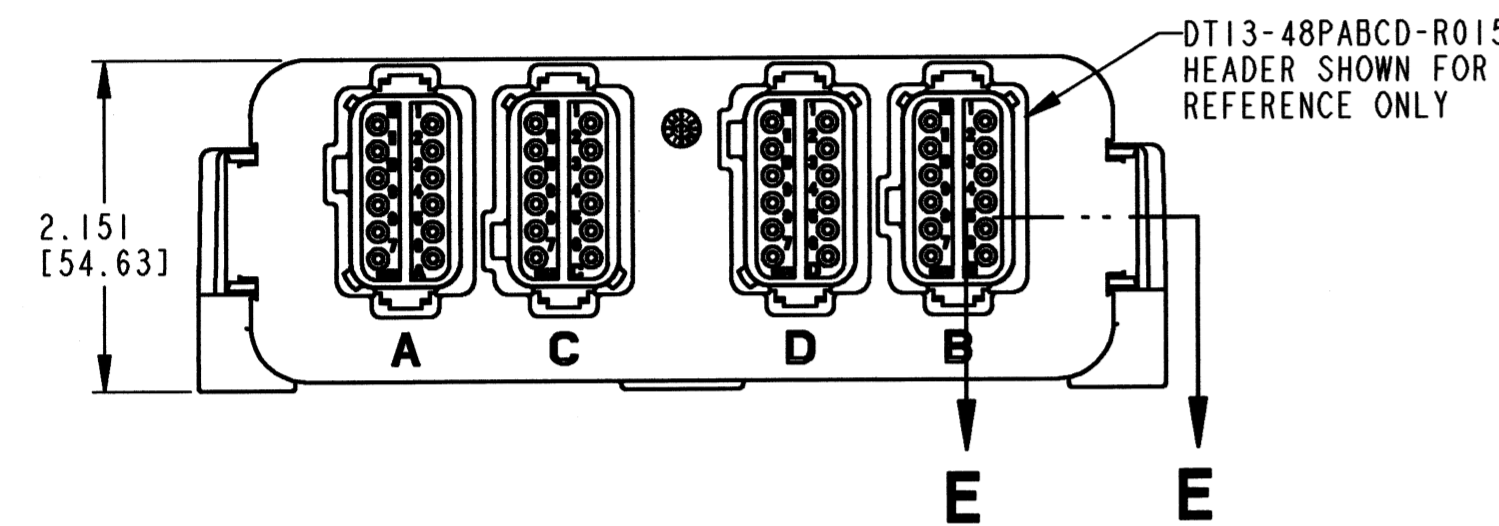
DT13-***-R015
BOARD THICKNESS IN KEEP CLEAR AREA TO BE .093±.004.
MAX. COMPONENT HEIGHT OVER BOARD .992[25.20].
MAX. COMPONENT HEIGHT UNDER BOARD .157[4.00].
ALL DIMENSIONS REFERENCE



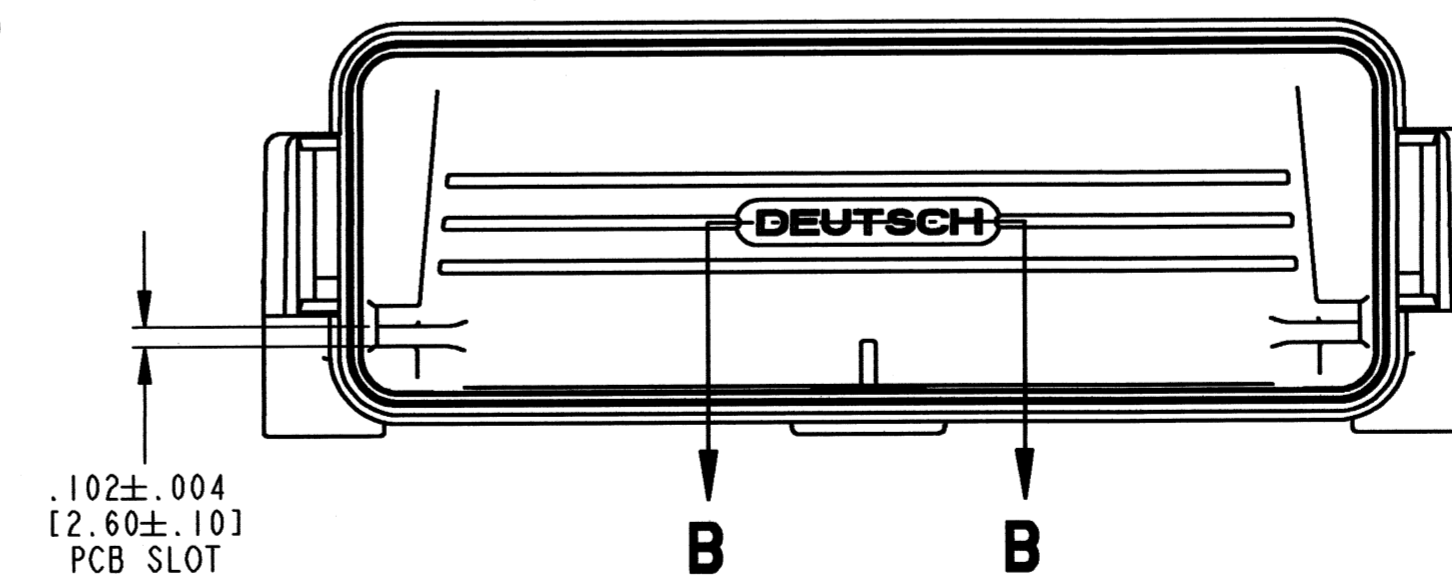
SECTION A-A



SECTION E-E



SECTION B-B



B B

REV NC		REVISIONS		
SYM	DESCRIPTION	DATE	APPROVED	
NC	NEW RELEASE PER E.O. P20721	12-17-10	RDR	

- NOTES:
1. DIMENSIONS ARE IN INCHES [MILLIMETERS].
 2. DIMENSIONS ARE ±.025 [.64] UNLESS OTHERWISE SPECIFIED.
 3. MATERIAL: NYLON 6/6 BLACK.
 4. THIS ENCLOSURE MATES WITH DT13-***-R015 AND -GR02 HEADERS. (* = PIN ARR. 12,24,36,48; *2 = KEY ARR. A,B,C,D).

DR	R. MESSENGER 6/11/10	PCB ENCLOSURE SHOWN WITH 48 PIN HEADER VENTED AND NON-VENTED DT SERIES	EP 208	MAT. CODE
CHK			3850 INDUSTRIAL AVE. HEMET, CA 92345	DEUTSCH INDUSTRIAL
PE	R. MESSENGER 12/15/10		EEC-5X650A/B	
APPD		ENVELOPE	DWG SIZE	SHEET 1 OF 1
SCALE	NONE	WT		